

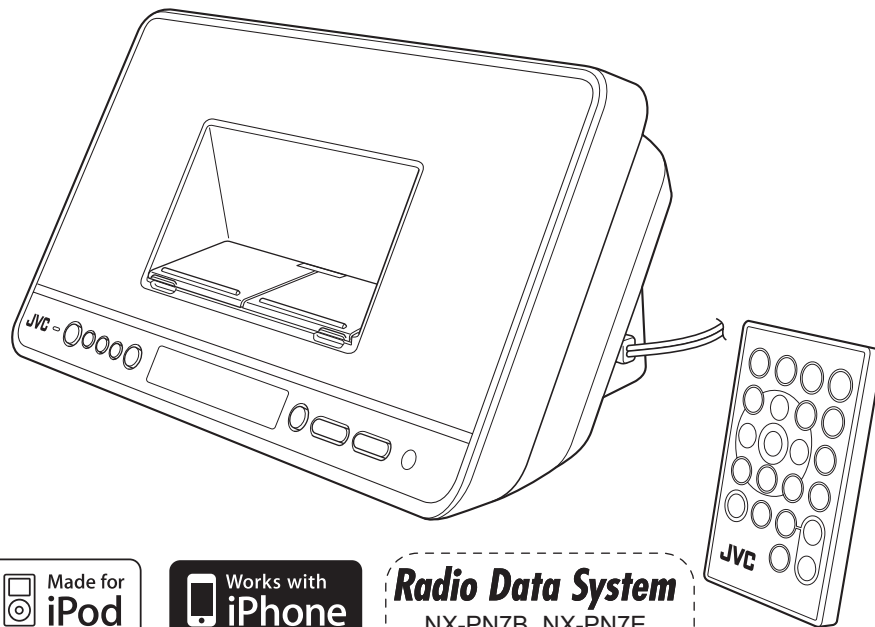
# JVC

## SCHEMATIC DIAGRAMS

### COMPACT COMPONENT SYSTEM

**NX-PN7J,NX-PN7C,NX-PN7B,NX-PN7E  
NX-PN7EN,NX-PN7EV,NX-PN7A,NX-PN7US  
NX-PN7UW,NX-PN7UJ**

DVD-ROM No.SML2008Q2



**Radio Data System**

NX-PN7B, NX-PN7E  
NX-PN7EN, NX-PN7EV

Lead free solder used in the board (material : Sn-Ag-Cu, melting point : 219 Centigrade)

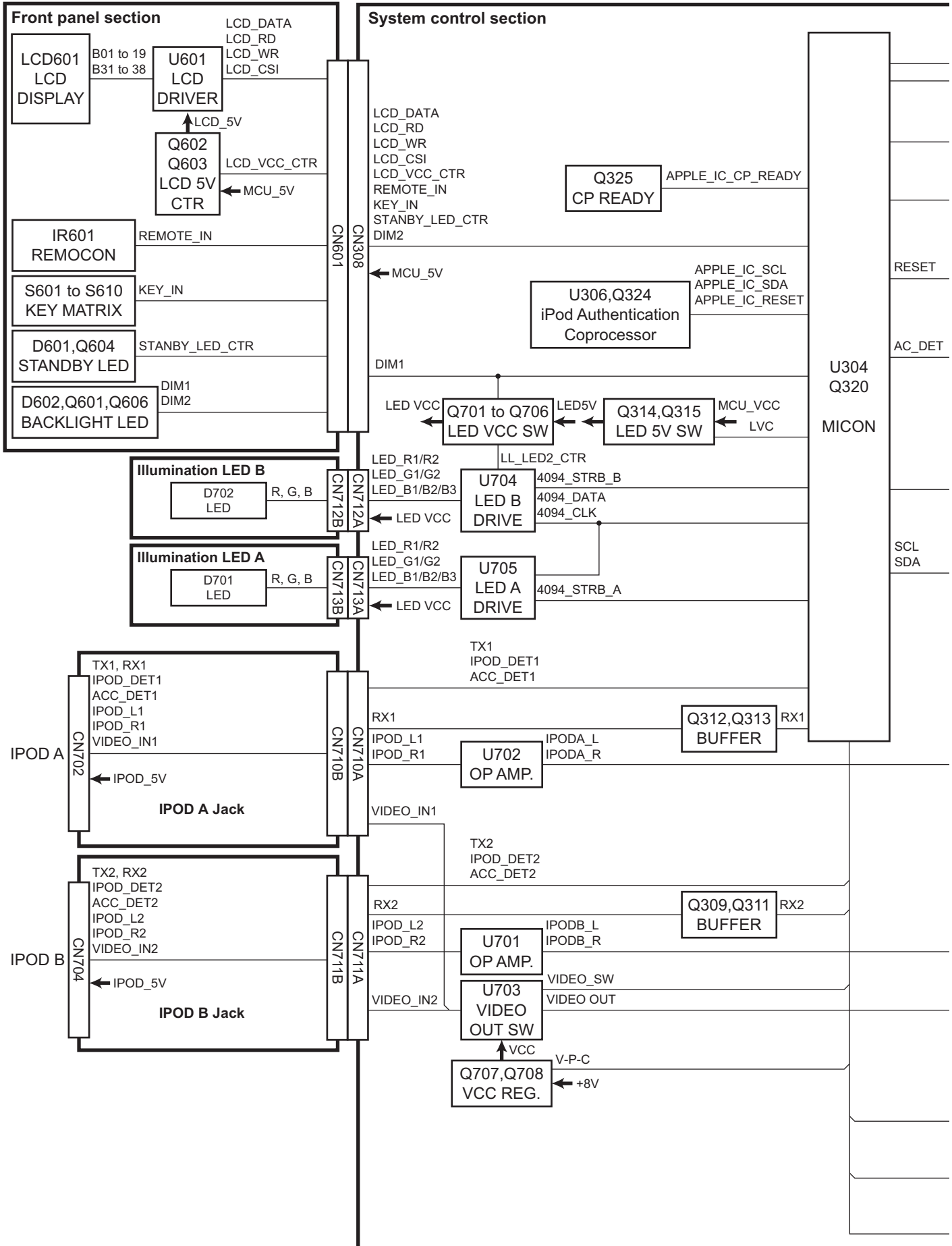
#### Contents

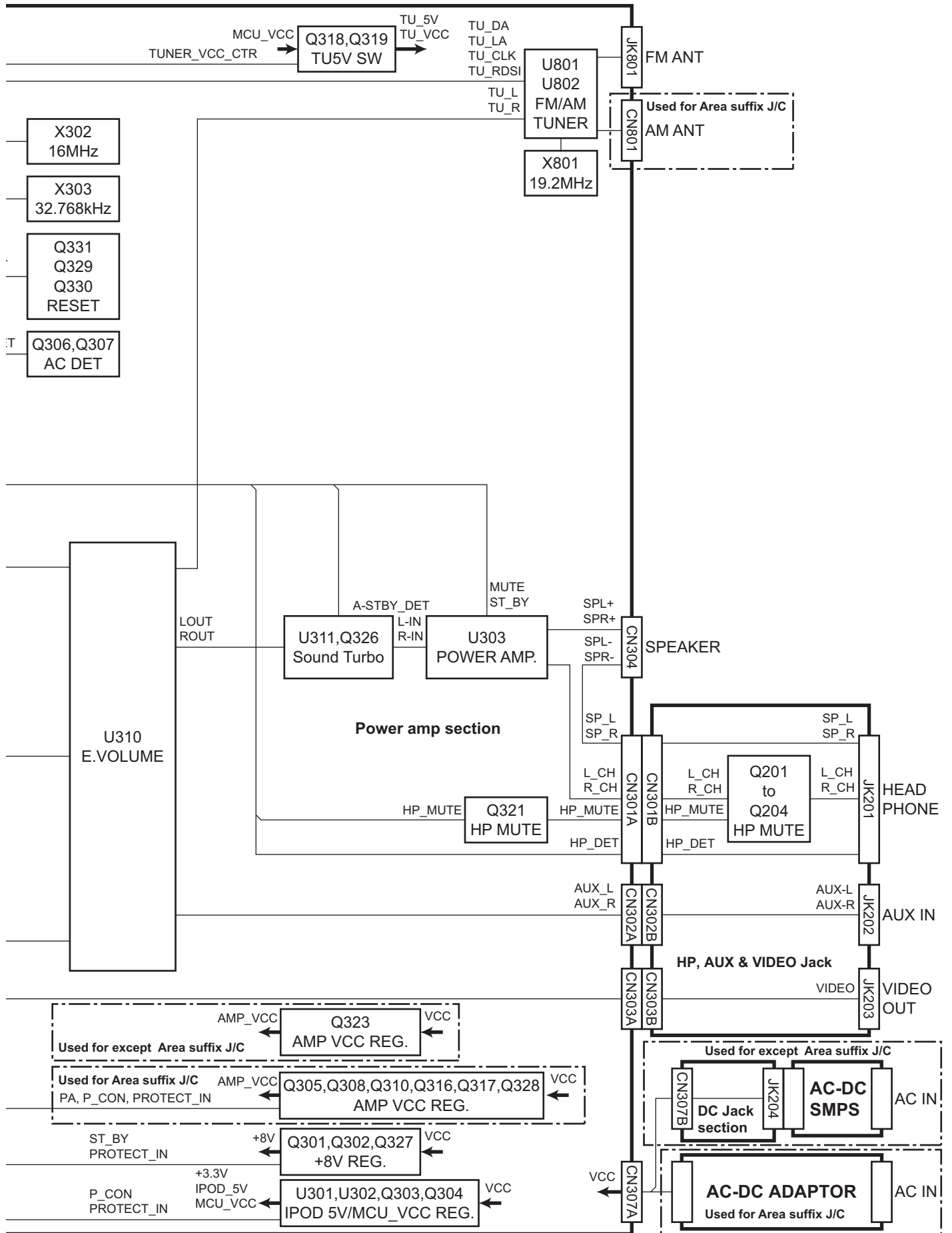
|                                   |            |
|-----------------------------------|------------|
| Block diagrams .....              | 2-1        |
| Standard schematic diagrams ..... | 2-3        |
| Printed circuit boards .....      | 2-11 to 13 |

In regard with component parts appearing on the silk-screen printed side (parts side) of the PWB diagrams, the parts that are printed over with black such as the resistor (■), diode (▣) and ICP (●) or identified by the "▲" mark nearby are critical for safety.

< MEMO >

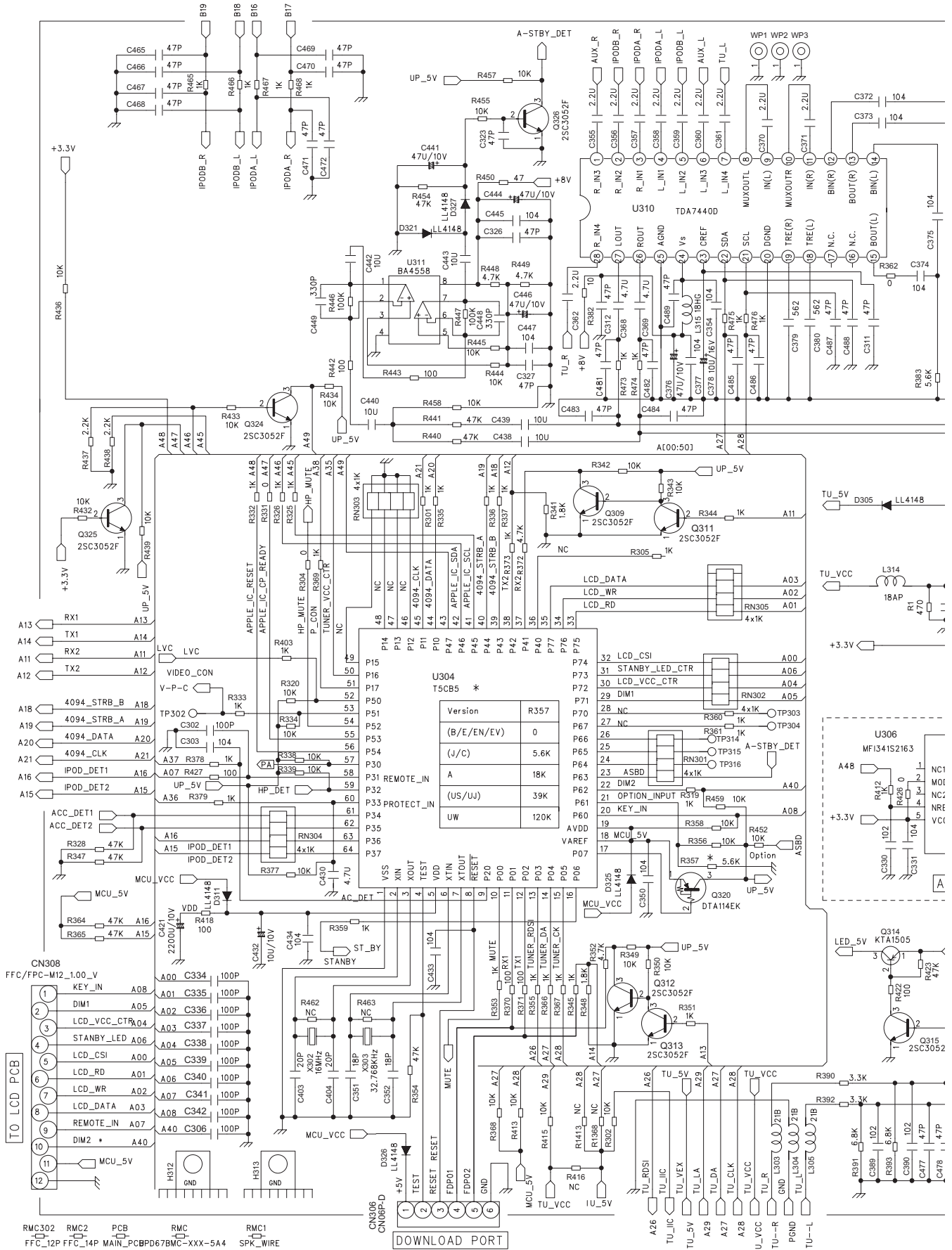
# Block diagram

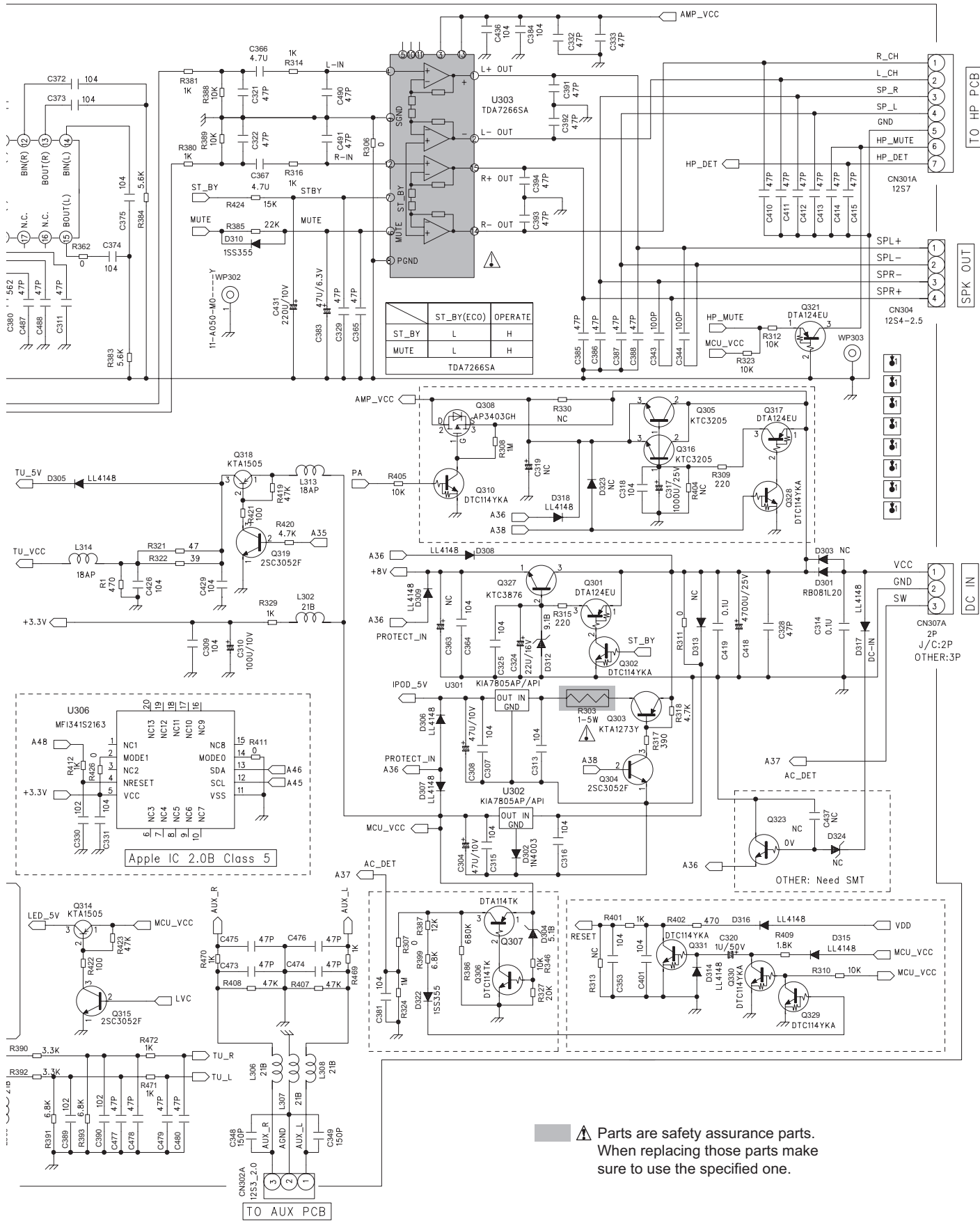




# Standard schematic diagrams

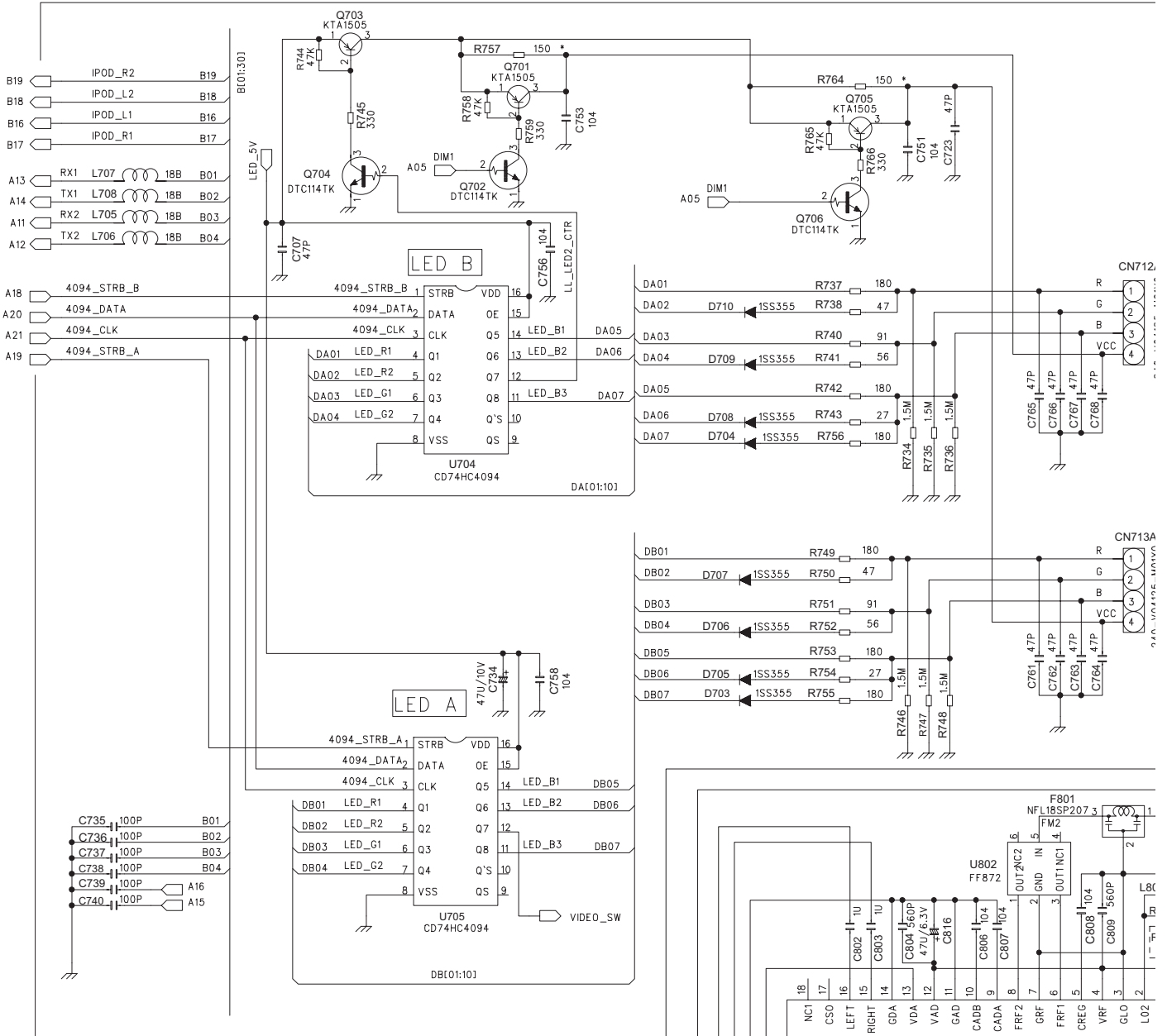
## Main section



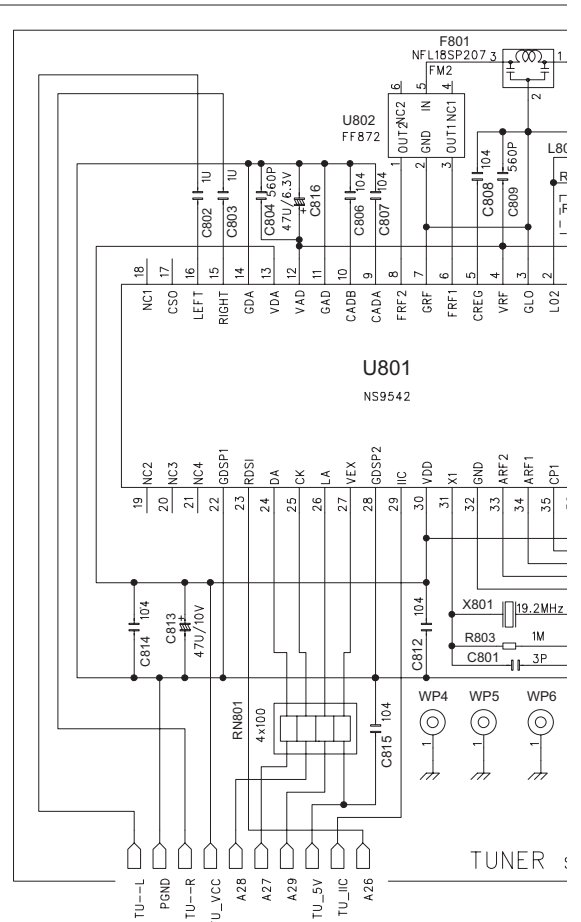


⚠ Parts are safety assurance parts. When replacing those parts make sure to use the specified one.

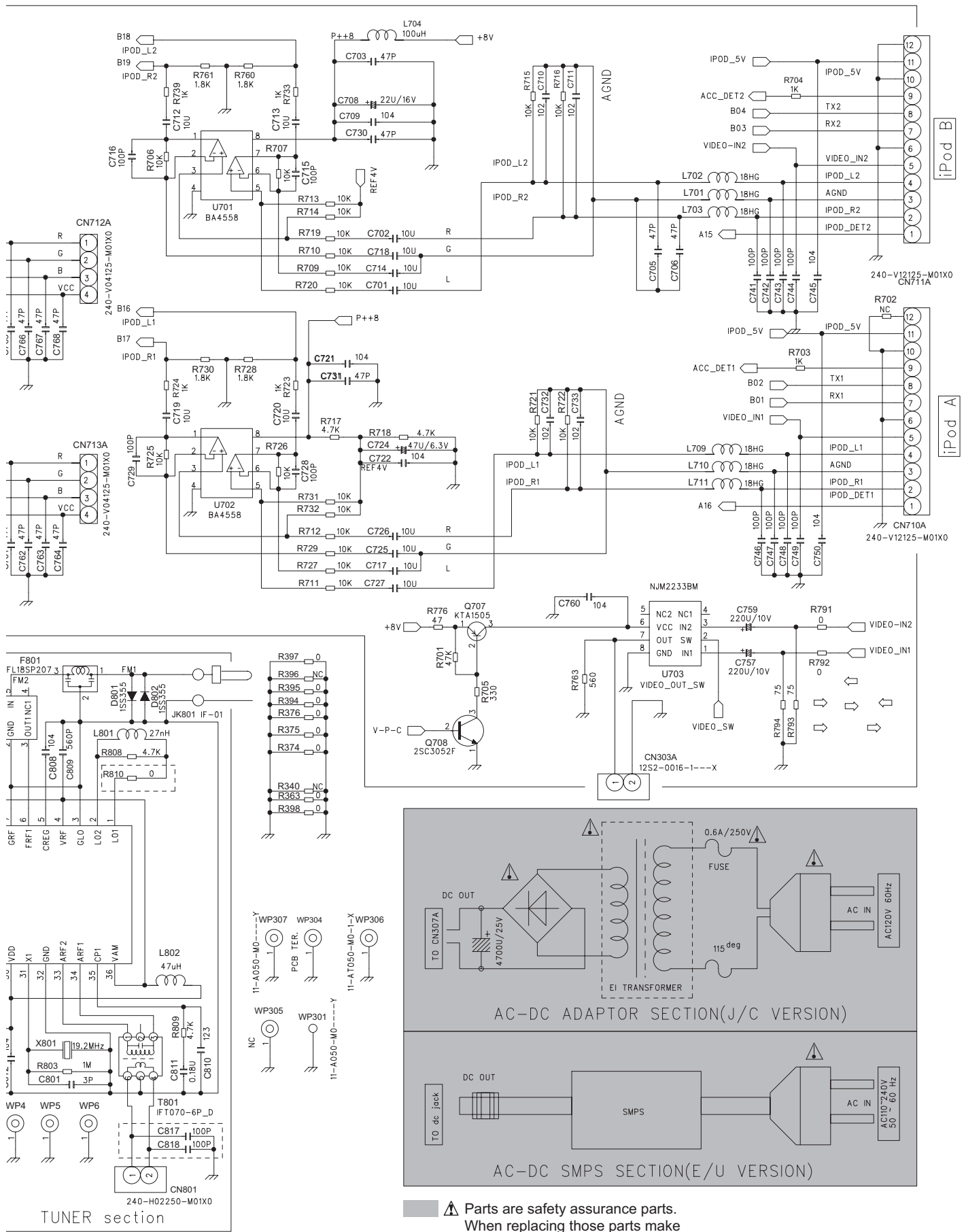
# ■ iPod Dock section



| COLOUR      | LED_R1 |        | LED_R2 |        | LED_G1 |        | LED_G2 |        | LED_B1 |        | LED_B2 |        | LED_B3 |        |
|-------------|--------|--------|--------|--------|--------|--------|--------|--------|--------|--------|--------|--------|--------|--------|
|             | LED_R1 | LED_R2 | LED_G1 | LED_G2 | LED_B1 | LED_B2 | LED_B3 | LED_R1 | LED_R2 | LED_G1 | LED_G2 | LED_B1 | LED_B2 | LED_B3 |
| BLUE        | H      |        | H      | H      | L      | H      | L      |        |        |        |        |        |        |        |
| YellowGreen | L      |        | L      | H      | H      | H      | H      |        |        |        |        |        |        |        |
| Pink        | L      |        | H      | H      | H      | L      | H      |        |        |        |        |        |        |        |
| SkyBlue     | H      |        | L      | H      | L      | H      | L      |        |        |        |        |        |        |        |
| Red         | L      |        | H      | H      | H      | H      | H      |        |        |        |        |        |        |        |
| White       | L      |        | L      | H      | L      | H      | L      |        |        |        |        |        |        |        |
| Orange      | L      |        | H      | L      | H      | H      | H      |        |        |        |        |        |        |        |
| Green       | H      |        | L      | H      | H      | H      | H      |        |        |        |        |        |        |        |
| Purple      | L      |        | H      | H      | L      | H      | L      |        |        |        |        |        |        |        |

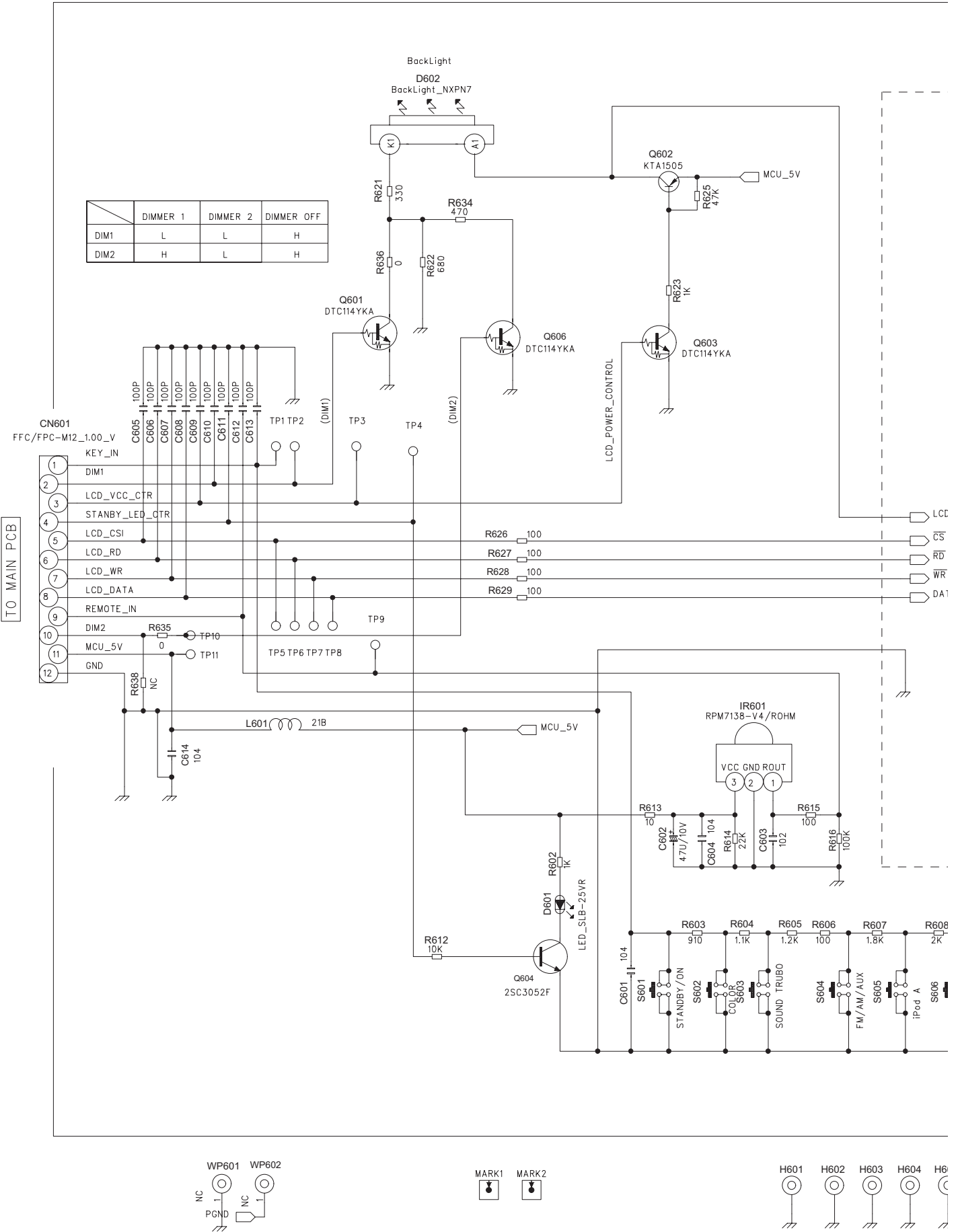


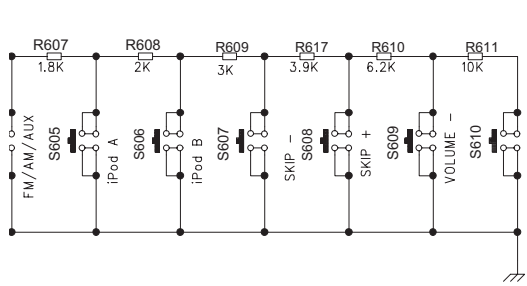
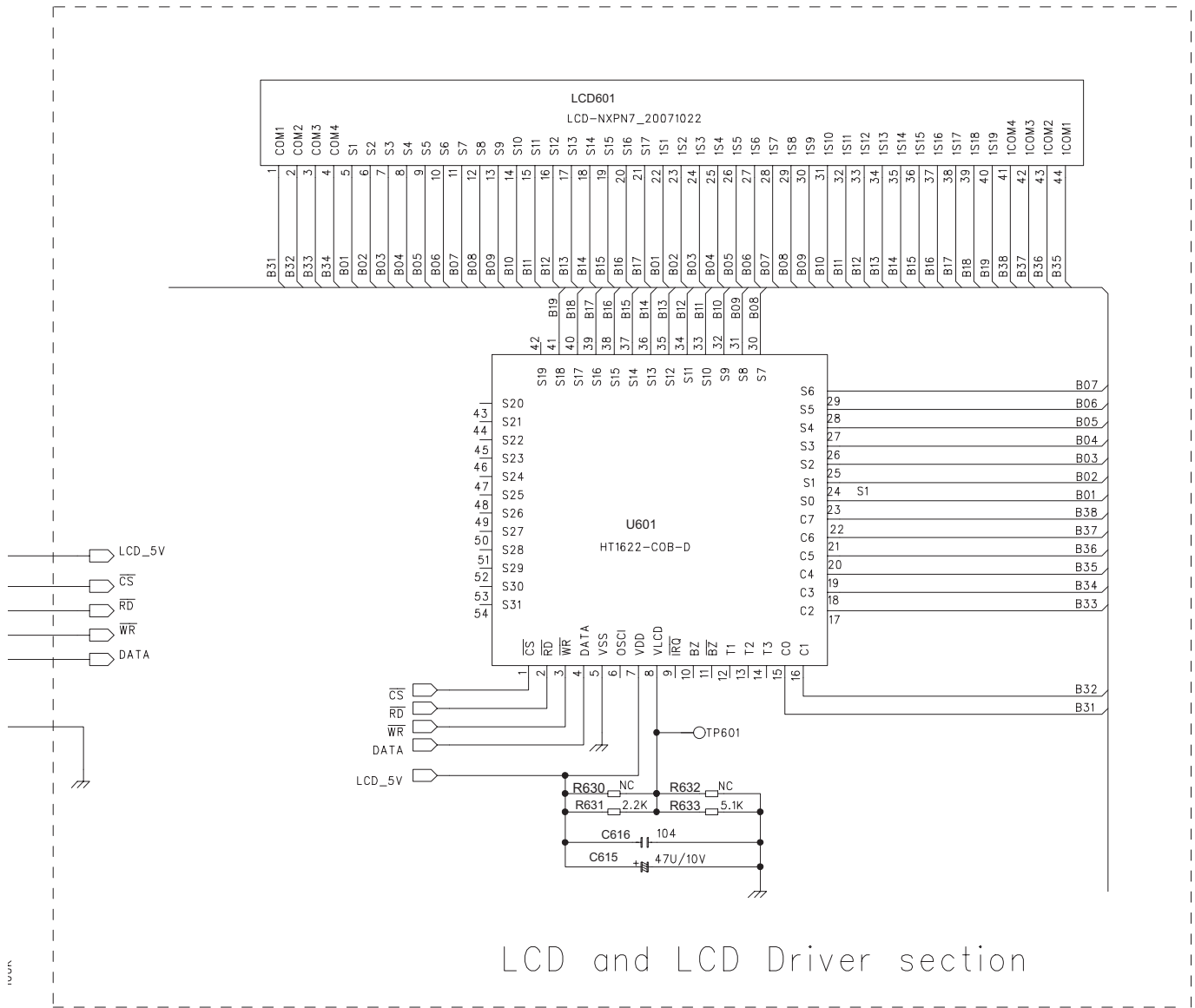




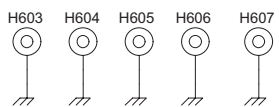
▲ Parts are safety assurance parts.  
When replacing those parts make  
sure to use the specified one.

# Front section

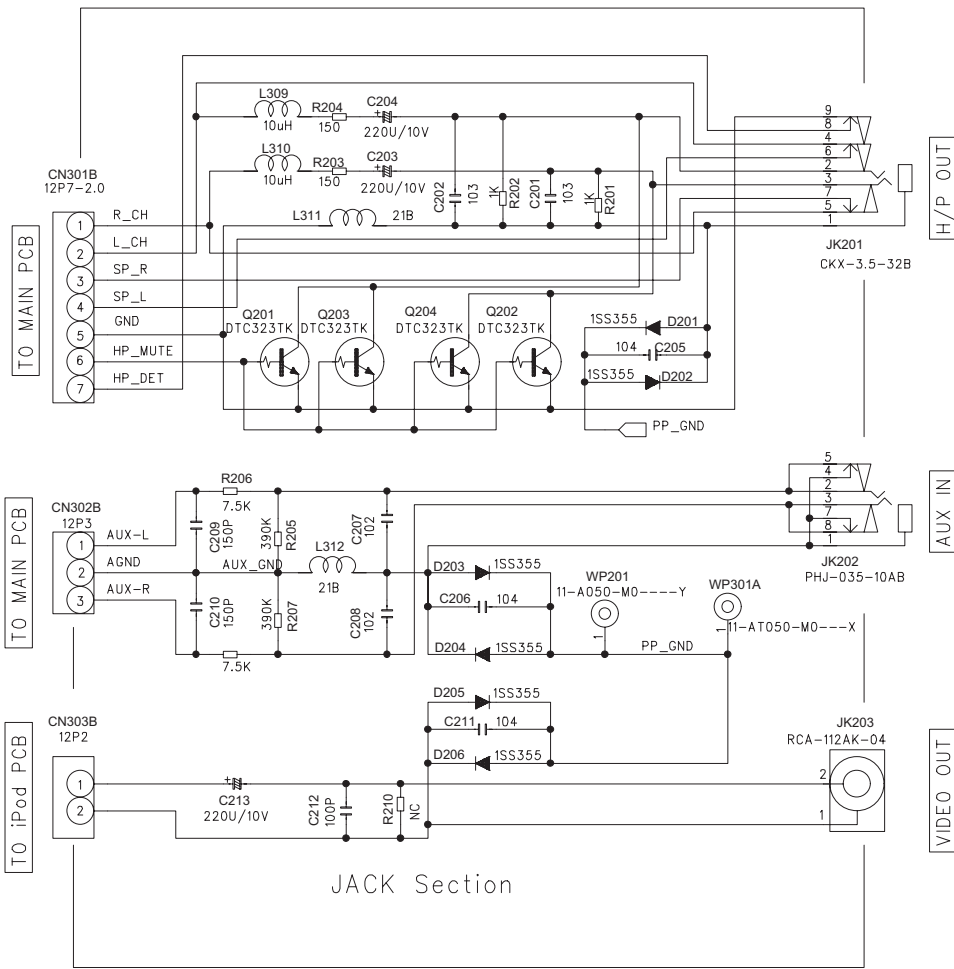




- MASK303 MASK
- MASK304 MASK
- MASK305 MASK
- MASK306 MASK
- MASK1 MASK
- MASK2 MASK
- MASK3 MASK
- MASK4 MASK

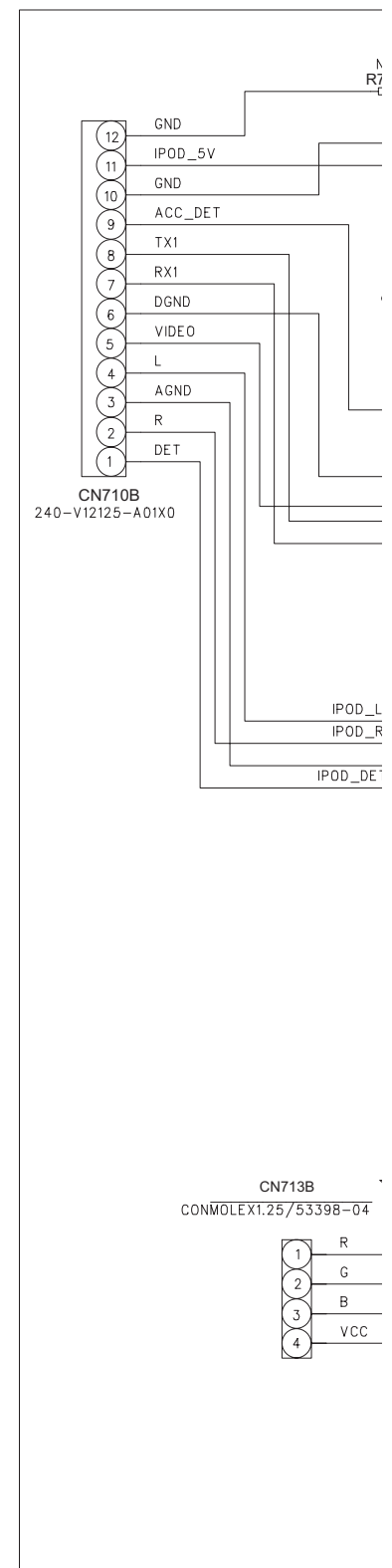


## Jack section

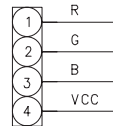


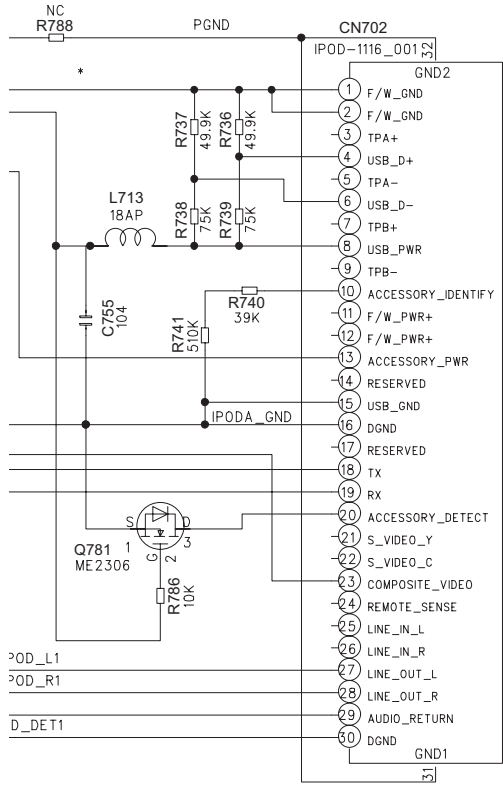
JACK Section

## iPod Stand section



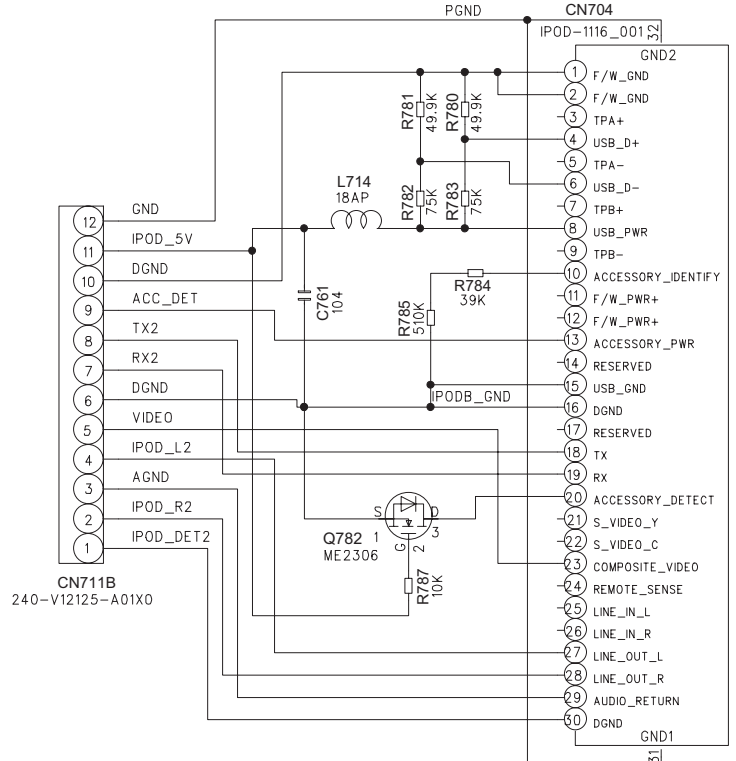
CN713B  
CONMOLEX1.25/53398-04





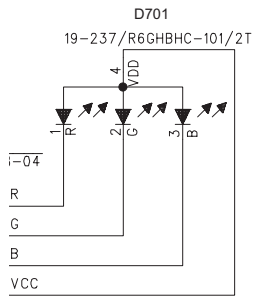
514S0117  
12S30-0024----X

IPOD A

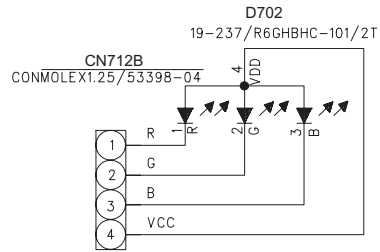


514S0117  
12S30-0024----X

IPOD B



LED A



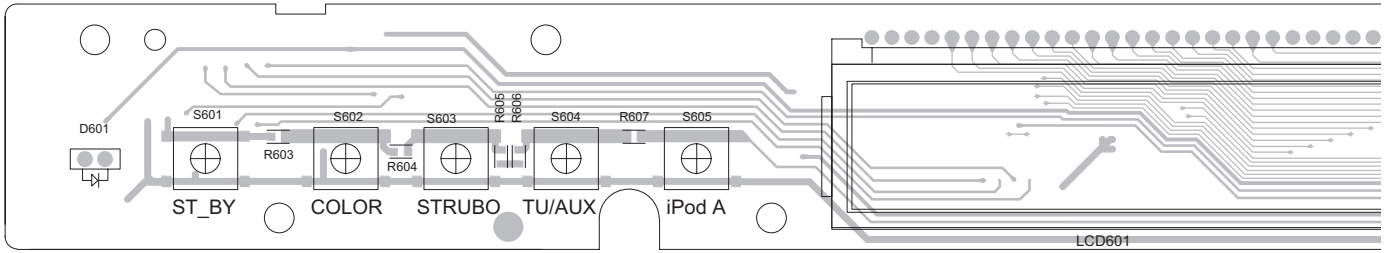
LED B

- MASK1 MASK
- MASK2 MASK
- MASK3 MASK
- MASK4 MASK
- MASK5 MASK
- MASK6 MASK
- MASK7 MASK
- MASK8 MASK

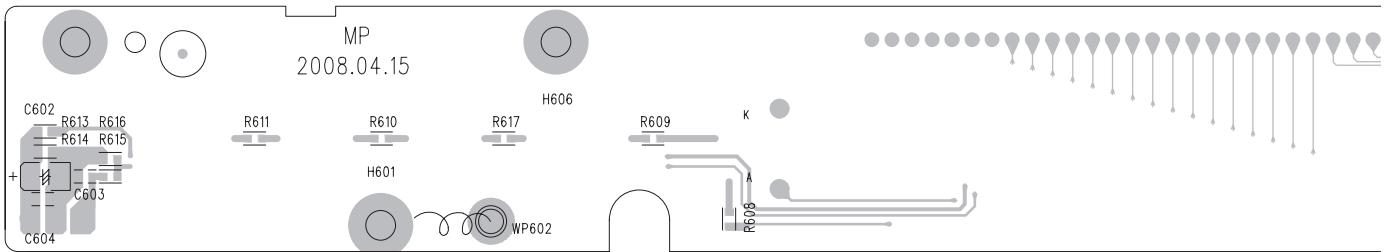
# Printed circuit boards

■ **Front board** Lead free solder used in the board (material : Sn-Ag-Cu, melting point : 219 Centigrade)

forward side

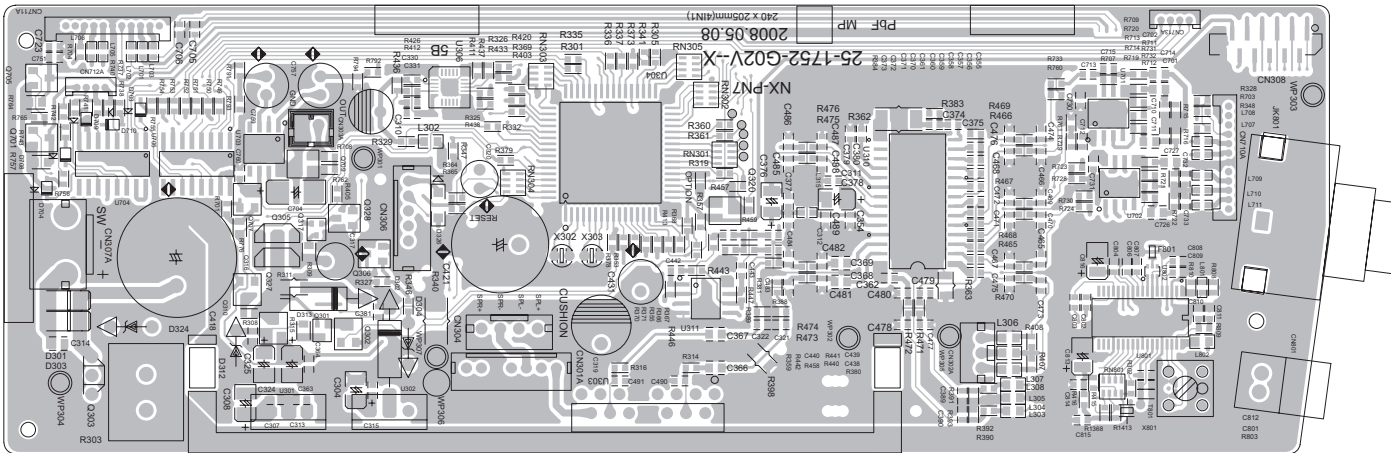


reverse side

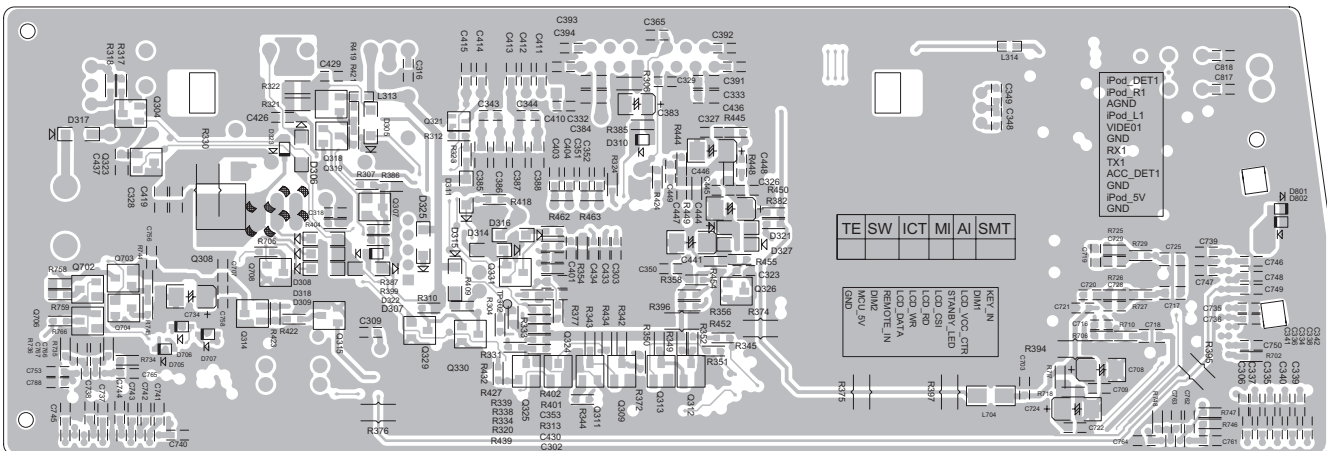


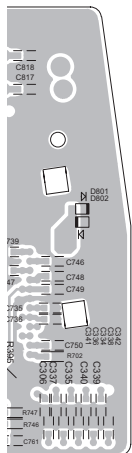
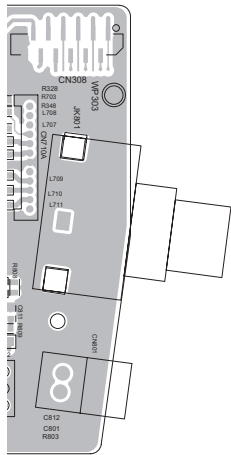
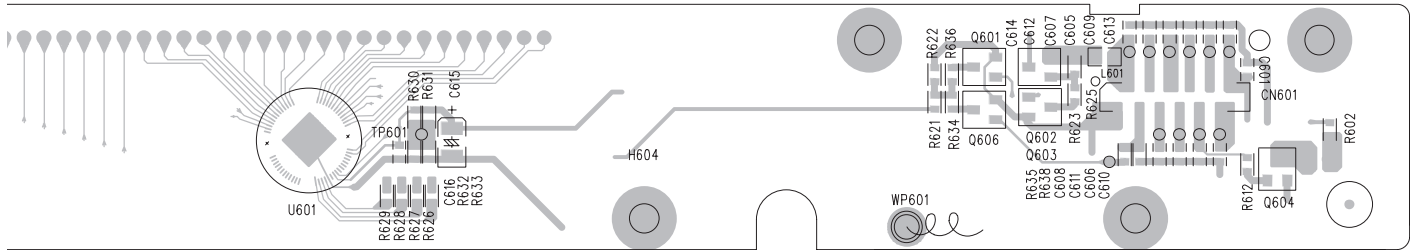
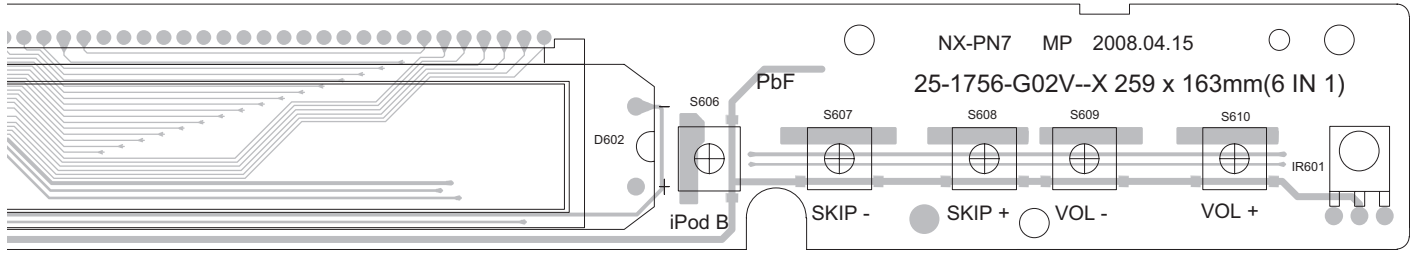
■ **Main board** Lead free solder used in the board (material : Sn-Ag-Cu, melting point : 219 Centigrade)

forward side

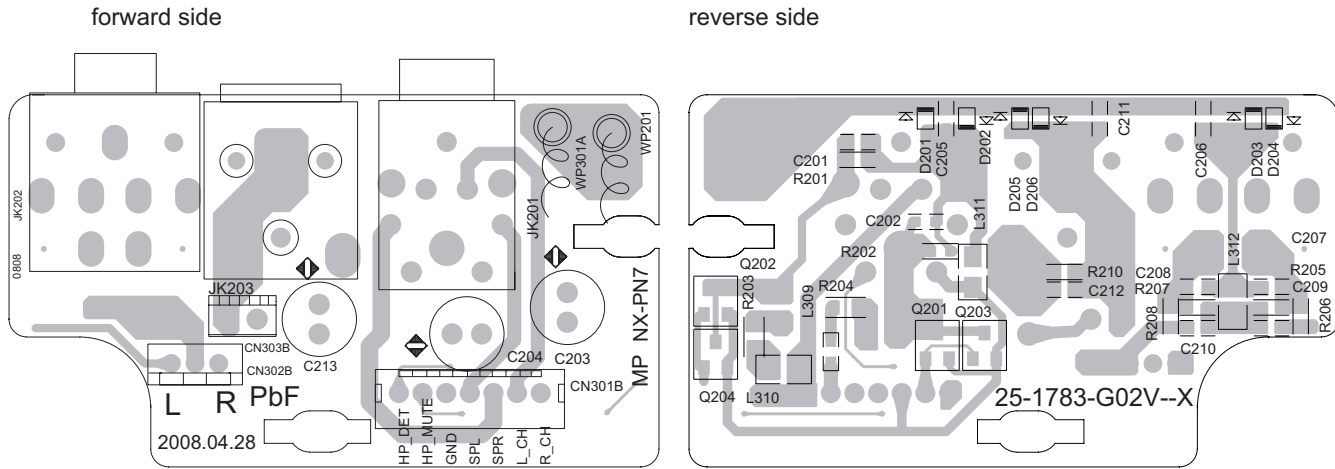


reverse side

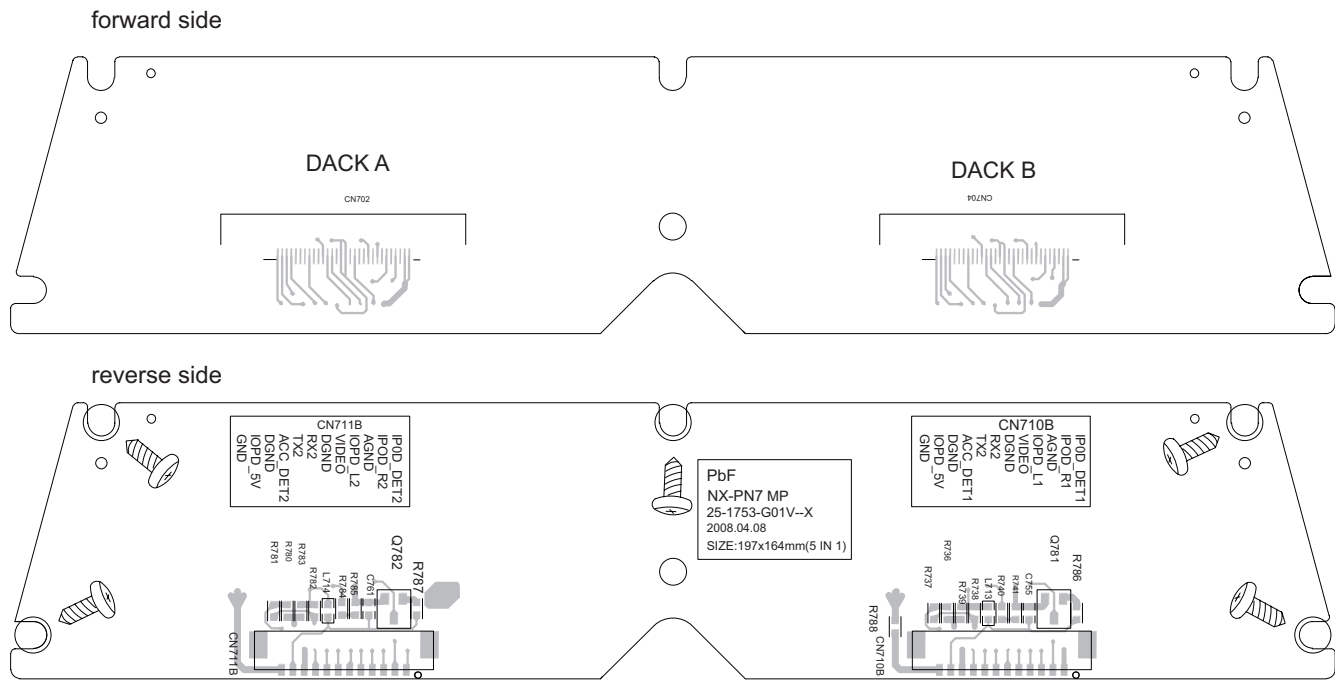




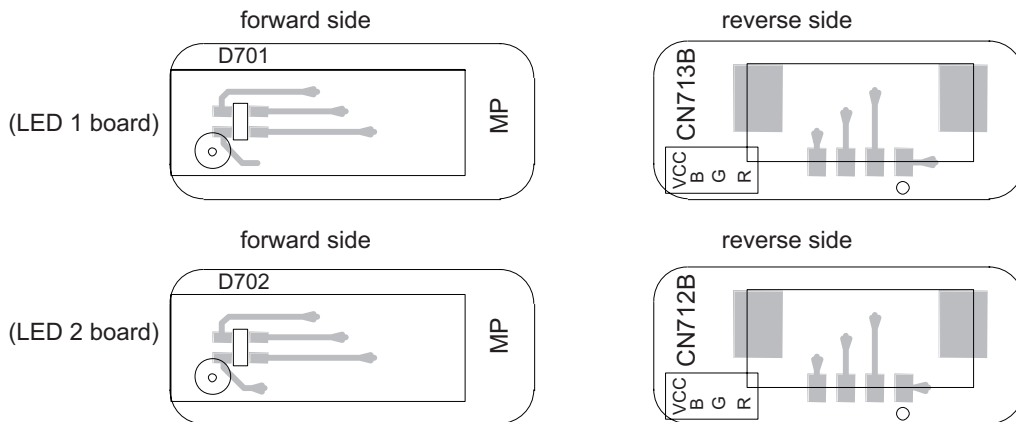
■ **Jack board** Lead free solder used in the board (material : Sn-Ag-Cu, melting point : 219 Centigrade)



■ **iPod board** Lead free solder used in the board (material : Sn-Ag-Cu, melting point : 219 Centigrade)



■ **LED board** Lead free solder used in the board (material : Sn-Ag-Cu, melting point : 219 Centigrade)





< MEMO >



**Victor Company of Japan, Limited**

Audio/Video Systems Division 10-1, 1chome, Ohwatari-machi, Maebashi-city, 371-8543, Japan

(No.MB675SCH<Rev.002>)

Printed in Japan  
VPT